

Load hooks

SPECIFICATION

Hook

Steel, German Material No. 1.6540

- high-tensile tempered
- 100% electro magnetic tensile tested to EN 1677
- plastic coated, pink

Safety catch

Steel, German Material No. 1.6541

- forged, high-tensile tempered
- 100 % electro magnetic tensile tested

Bearing case

Steel 1.6541

- forged, high-tensile tempered
- 100 % electro magnetic tensile tested
- zinc plated, blue passivated

Threaded stud

Steel, high-tensile tempered

Finish: Delta Tone



INFORMATION

Load hooks GN 5862 rotate running in ball bearings. The freely rotating hook allows the bolts to hold loads in any allowed tensile direction.

The rated load-bearing capacity is shown clearly on the swivel eye bolt. It is valid for the most unfavourable case in term of the types of load listed opposite. Load rings GN 5862 comply with Mechanical Engineering Directive 2006 / 42 / EG and are BG tested.

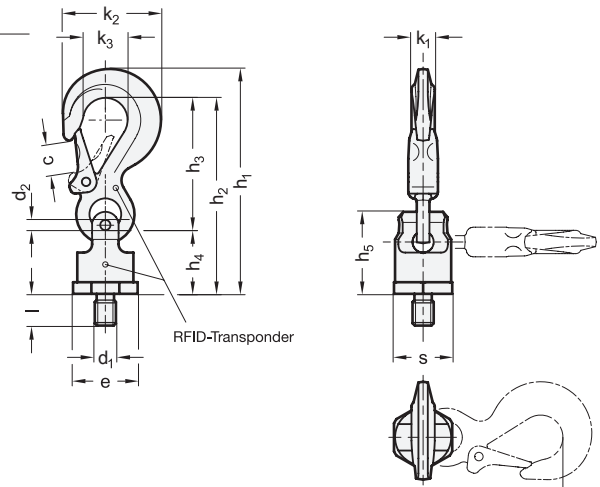
The integrated RFID transponder clearly marks and identifies the sling and lifting gear, e.g. during the prescribed regular inspection.

TECHNICAL INFORMATION

- Strength values of screws (see page A20)

ON REQUEST

- other screw lengths l



GN 5862

Description	d1	d2	l	e	h1	h2	h3	h4	h5	k1	k2	k3	k4	c	s	Tightening torque in Nm	Nominal load in t	⚖️
GN 5862-M12-18	M 12	4.8	18	40	129	116	75	41	49	12	52	25	82	18	36	10	0.63	400
GN 5862-M16-24	M 16	7.4	24	46	167	147	97	50	63	16	73	32	105	25	41	30	1.50	820
GN 5862-M20-30	M 20	9.6	30	61	215	187	126	61	78	20	95	42	136	30	55	70	2.50	1200
GN 5862-M24-36	M 24	12.1	36	87	263	227	150	77	96	26	118	52	163	35	70	150	4.00	1600
GN 5862-M30-45	M 30	15.6	45	95	304	267	174	93	119	30	135	57	189	40	85	225	5.00	2400
GN 5862-M36-54	M 36	19	54	100	356	310	208	102	137	36	161	68	227	48	90	410	8.00	3200



Method of mounting										
Number	1	1	2	2	2	2	2	3 and 4	3 and 4	3 and 4
Angles of inclination	0°	90°	0°	90°	0° to 45°	45° to 60°	asymm.	0° to 45°	45° to 60°	asymm.
Factor	1	1	2	2	1.4	1	1	2.1	1.5	1
M 12	0.63 t	0.63 t	1.26 t	1.26 t	0.88 t	0.63 t	0.63 t	1.32 t	0.95 t	0.63 t
M 16	1.50 t	1.50 t	3.00 t	3.00 t	2.10 t	1.50 t	1.50 t	3.15 t	2.25 t	1.50 t
M 20	2.50 t	2.50 t	5.00 t	5.00 t	3.50 t	2.50 t	2.50 t	5.25 t	3.75 t	2.50 t
M 24	4.00 t	4.00 t	8.00 t	8.00 t	5.60 t	4.00 t	4.00 t	8.40 t	6.00 t	4.00 t
M 30	6.70 t	5.00 t	13.40 t	10.00 t	7.00 t	5.00 t	5.00 t	10.50 t	7.50 t	5.00 t
M 36	10.00 t	8.00 t	20.00 t	16.00 t	11.20 t	8.00 t	8.00 t	16.80 t	12.00 t	8.00 t

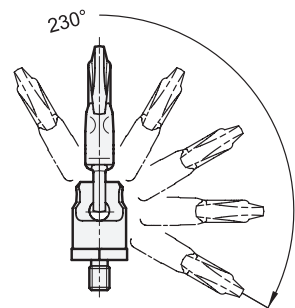
SAFETY INSTRUCTIONS

The above load capacity table shows the maximum loads in metric tonnes as factor of the load ring type and at an operating temperature range of -40 °C to +200 °C, with a safety coefficient of 4 taken into account for all values.

The load hooks GN 5862 may be used only if it is bolted with the minimum screw-in depth which depends on the material and if the bolt contact surface is plane and fixed at a right angle to the tap hole.

If permanently mounted in place, the load hooks must rotate freely by 360° and must not rest on edges or other fixture, e.g. crane hooks. The load hooks are not suitable for permanent rotary movement under load exposure.

Operating instructions with more details and specifications are included with every delivery (see www.elesa-ganter.com)



9

Machine elements